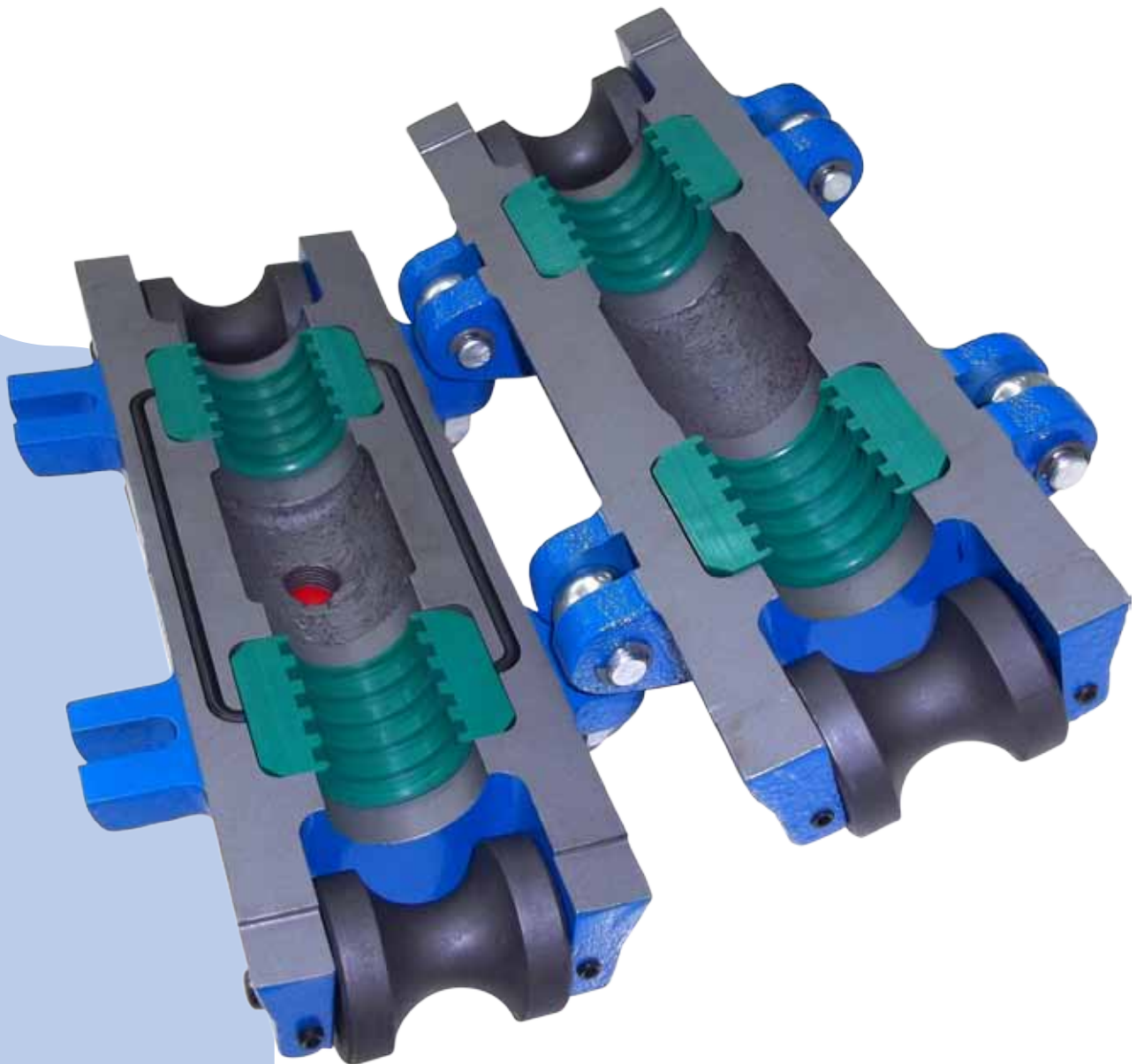


# Wire rope lubricator

Model LCC



## Why use lubricant?

The use of lubricant considerably reduces the friction factor and as a result, it minimizes the two related factors:

- Abrasion on wire rope cover.
- Heat generation.

## Why should we relubricate the cables ...?

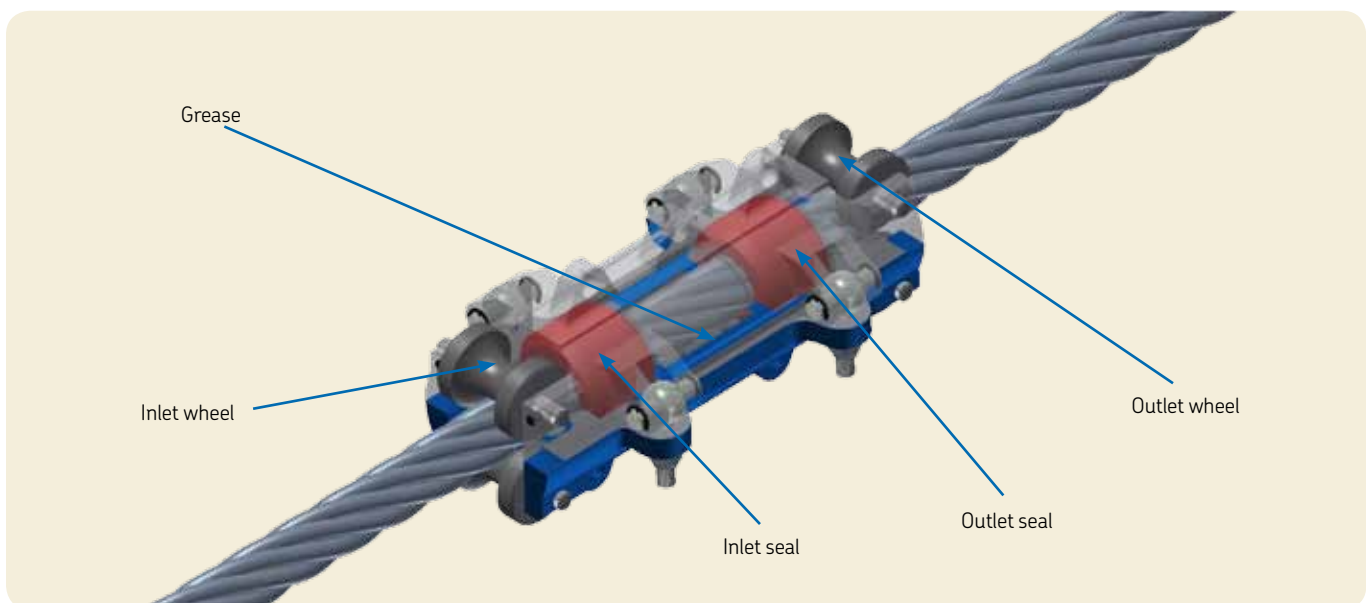
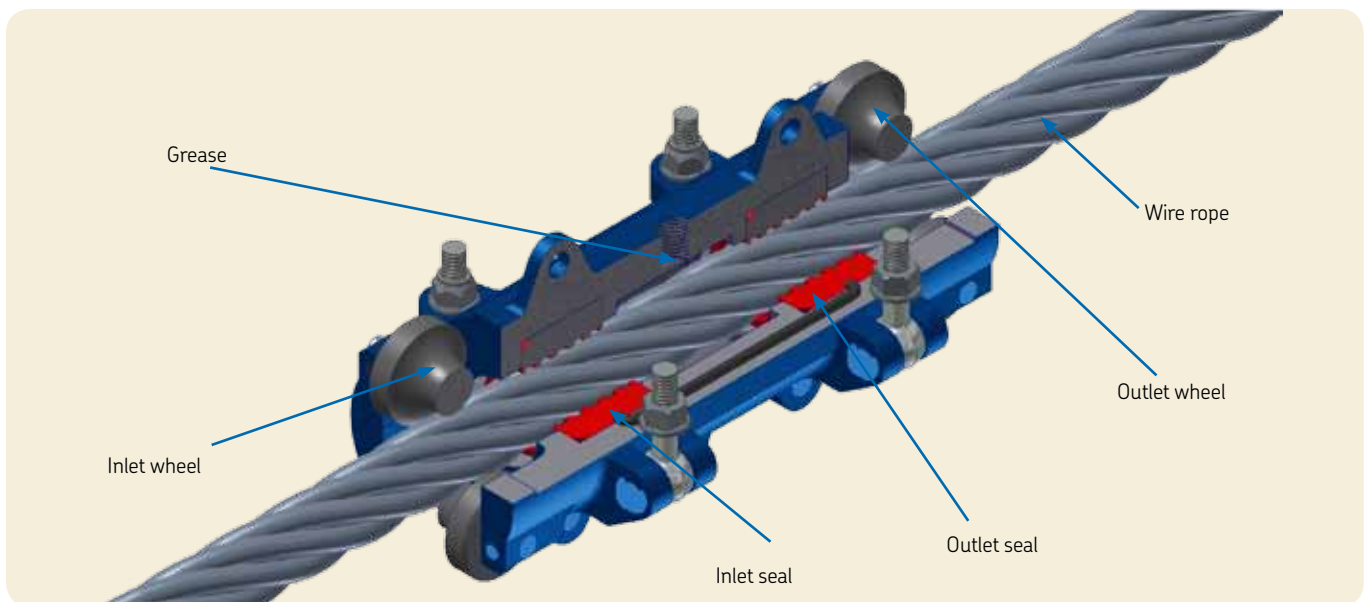
The life cycle of a steel wire rope periodically lubricated will be around 6-8 times longer.

Another reason to lubricate a steel wire rope in service is to prevent corrosion of wires.

Corrosion can be internal and external, and it is due to different causes such as: acids, alkaline waters, corrosive salt air, humidity, fumes, abrasive and industrial environments in general.

### To sum up, lubrication:

- Reduces friction
- Protects against corrosion
- Adheres to each wire





It eliminates manual lubrication and, in turn, obtains higher results, since lubricants are fed through great pressure directly into the steel wire rope core depending on the lubricant characteristic.

SKF LCC wire rope lubricator is the ideal device to apply the right quantity of grease to the wire rope surface, retaining the excesses and adequately distributing the lubricant on the entire outside surface.

## Features

- Supports all types of greases
- Easy to use in any wire rope
- No more with manual lubrication
- It stops corrosion
- It protects the ropes
- It penetrates the wire rope core
- Less waste and dirt
- Fast and efficient
- Robust design to work in harsh environments

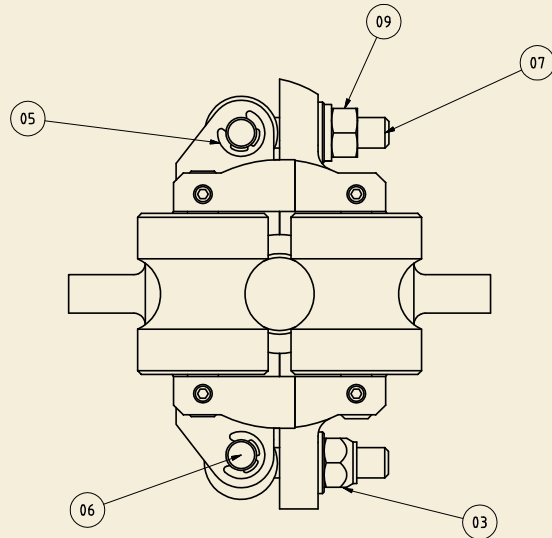
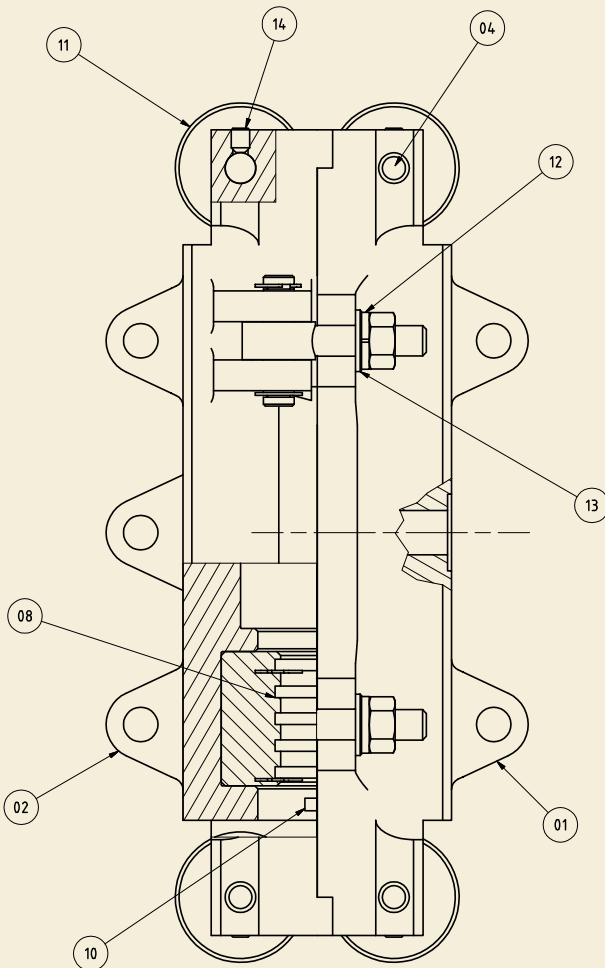
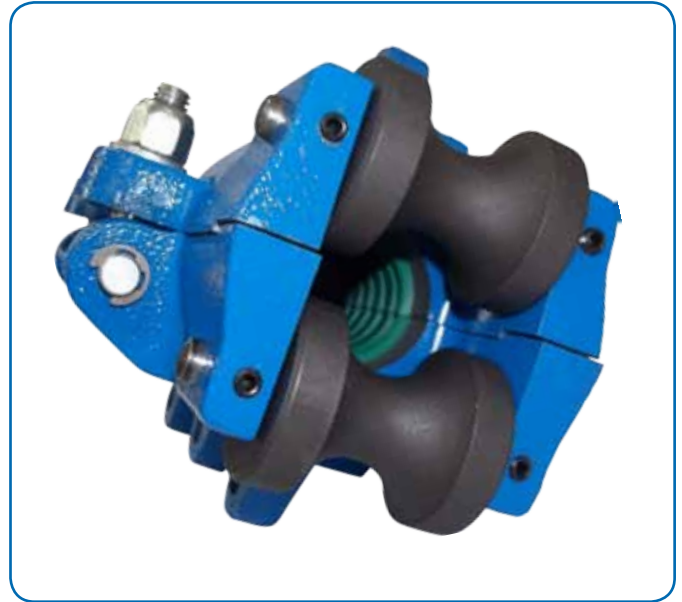
## Main applications

- Traveling crane
- Wharf cranes
- Ship cranes
- Deck winches
- Ship hoists
- Wire ropes for ROV (Remote Operated Vehicles)
- Winding machines in mines
- Mobile cranes
- Oil & gas rigs
- Chains and ropes



# Operation

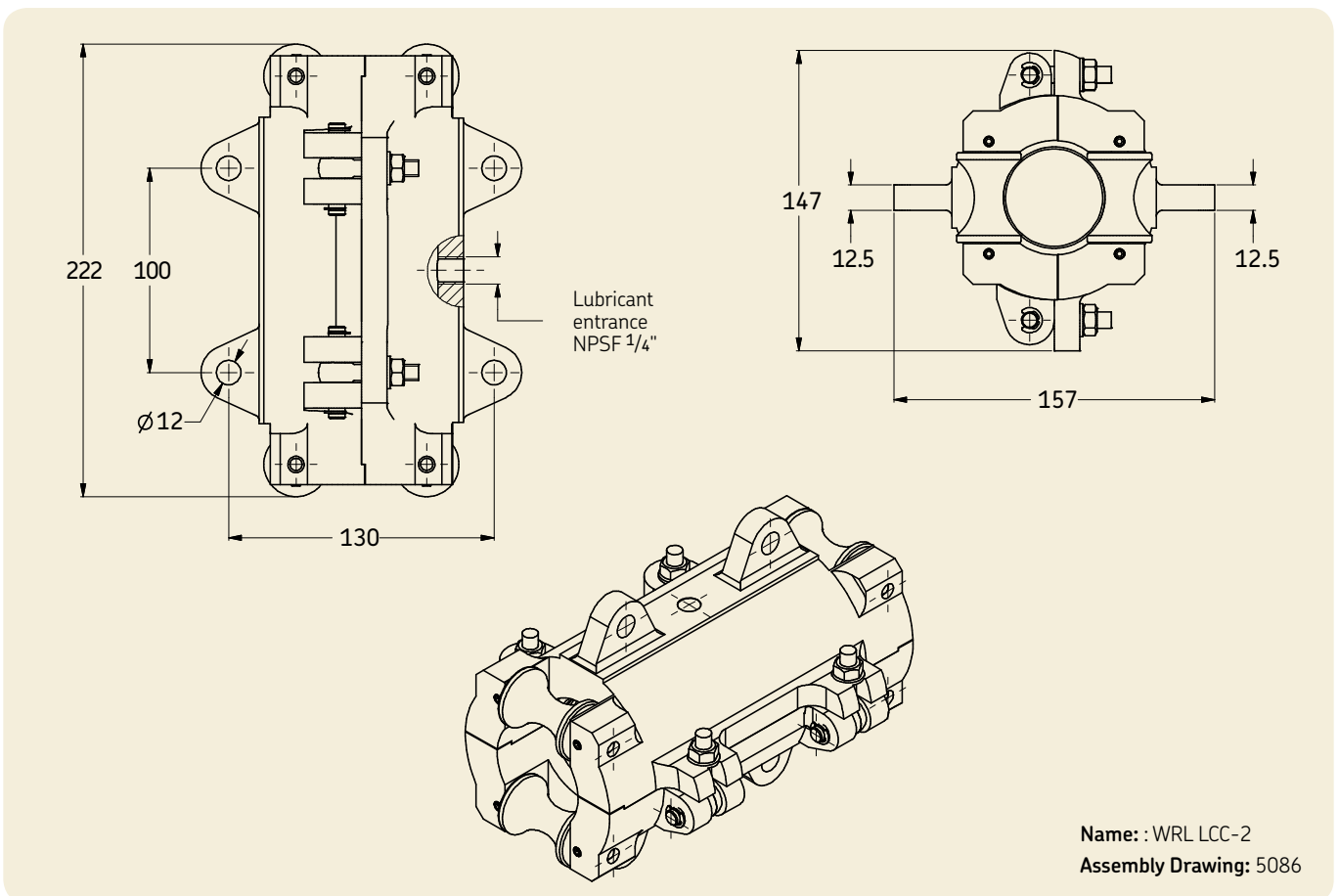
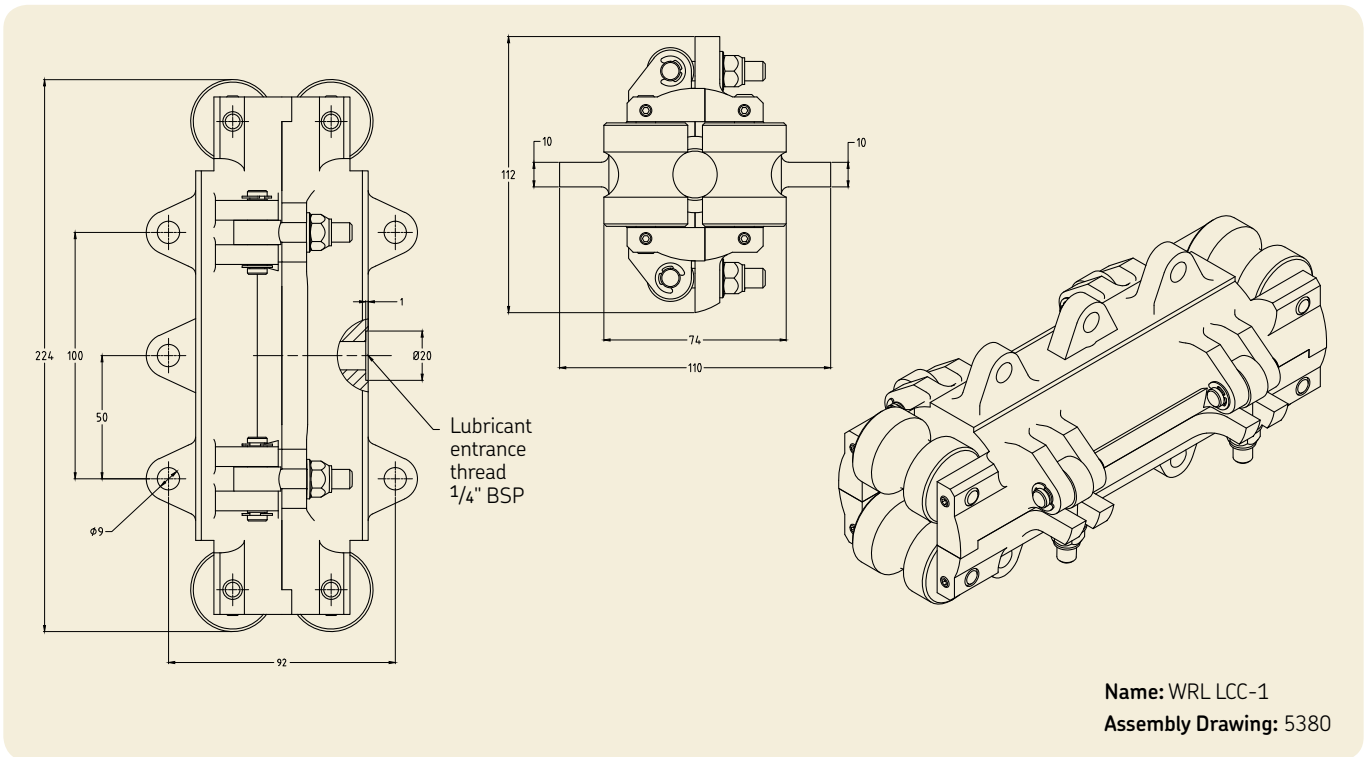
- 1 The lubricator has an internal chamber that has to be filled with grease through the pump.
- 2 The grease in the chamber is removed through the wire rope going through the inner part of device.
- 3 The seal's function is to avoid excessive lubricant in the wire rope.
- 4 There is no risk of seals breaking due to pressure because of the clearance between the seals and rope.
- 5 The only purpose of inlet and outlet wheels is to help the wire rope move inside the device and prevent seal damage.



No.	Description	Qty.	Material
01	Upper body	1	SAE-120
02	Lower body	1	SAE-120
03	Lock Nut, $\frac{5}{16}$ " NF thread	2	
04	Roller shaft	4	SAE-1038
05	Lock washer 6RS DIN6798 $\varnothing 6$	8	
06	Closing shaft	4	SAE-1038
07	Lock screw	4	SAE-1010
08	Scraper bushing	2	Polyurethane
09	Nut R.W. $\frac{5}{16}$ " x 18 F/P	2	
10	O'ring cord W= $\varnothing$ 3,53 Length=170	1	Nitrile
11	Rollers	4	SAE-12L14
12	Spring washer $\frac{5}{16}$ "	2	
13	Flat washer $\frac{5}{16}$ "	4	
14	Clutch adjust screw NF N°10 x $\frac{1}{4}$	4	

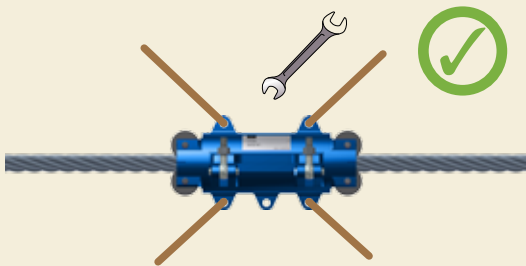
(\* ) Dimensions:  $\frac{7}{16}$ ",  $\frac{1}{2}$ ",  $\frac{9}{16}$ ",  $\frac{5}{8}$ ",  $\frac{11}{16}$ ",  $\frac{3}{4}$ ",  $\frac{13}{16}$ ",  $\frac{7}{8}$ ", 1",  $1\text{-}\frac{1}{4}$ " and  $1\text{-}\frac{7}{8}$ "

# Dimensions

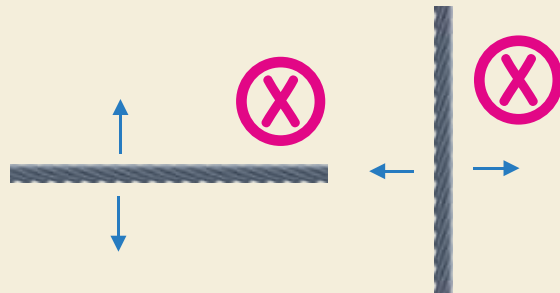


# Usage

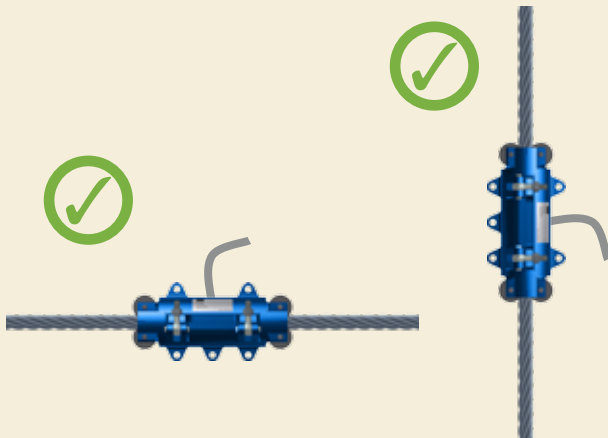
1 It is recommendable to fix the lubricator with cables or chains.



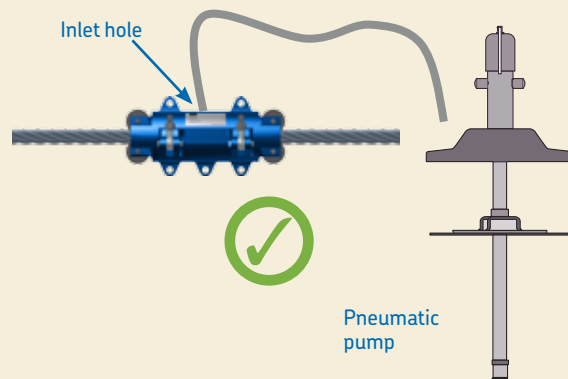
4 It is recommended to carry out this procedure in a place where the wire rope does not have transversal displacement.



2 The wire rope lubricator can be placed in any position



5 The lubricator may be refilled through a pneumatic pump at the required pressure so as to ensure that the device is full of grease as needed.



3 When the wire rope is not being lubricated, the lubricator can be mounted; however, it is recommendable that it be dismantled so as to avoid the unnecessary wear of seals



6 It is necessary to tight the nuts with the proper tools to close the device.

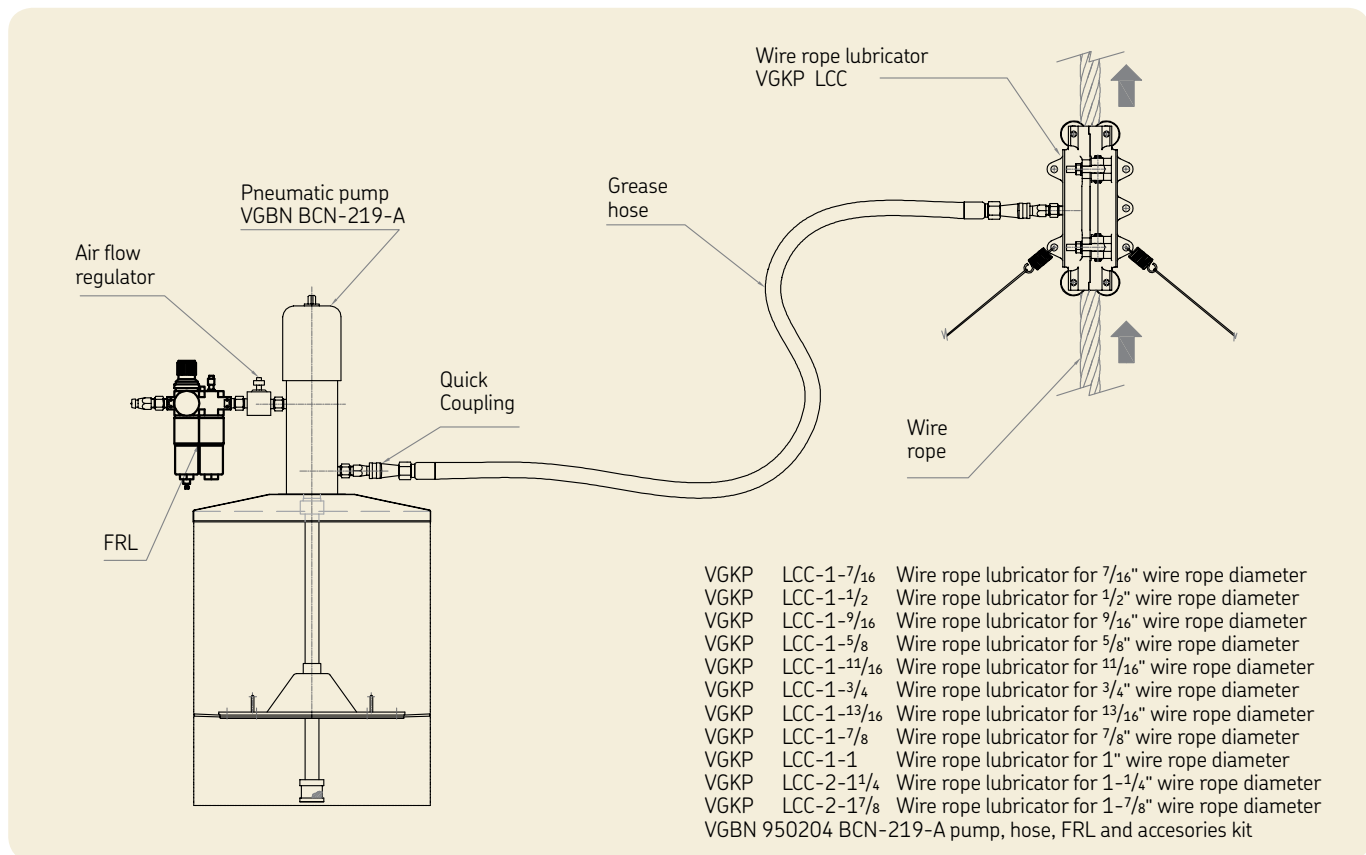
7 It is not necessary to control or measure the pressure to ensure that the amount of lubricant being fed by the pump is enough to maintain the wire rope properly lubricated.

8 The pump has to be connected to the lubricator through the lubricant inlet hole.



# Specifications

## Typical design of a wire rope lubrication system



## Instructions to change the seal & rollers kit of LCC-1/LCC-2 cable lubricator

### Kit:

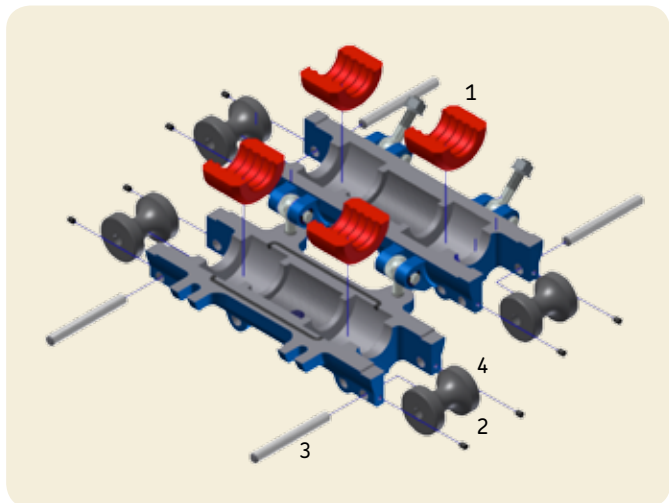
- Rollers (4)
- Roller shafts (3)
- Roller shaft clamp screws (2)
- Scrapers for bushings (1)

### Sequence for kit change

- Step 1: Remove split seals 1
- Step 2: Remove roller shaft clamp screws 2
- Step 3: Remove roller shafts 3
- Step 4: Remove rollers 4

### Assembling the new kit

Revert the order of previous sequence



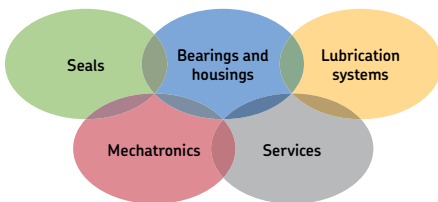
Instructions to change the seal & rollers kit of LCC-1/LCC-2 cable lubricator

## WRL

Prefix	Code	Wire Rope Ø	Description
VGKP	LCC-1-7/16	7/16"	Wire rope lubricator for 7/16" cable diameter
VGKP	LCC-1-1/2	1/2"	Wire rope lubricator for 1/2" cable diameter
VGKP	LCC-1-9/16	9/16"	Wire rope lubricator for 9/16" cable diameter
VGKP	LCC-1-5/8	5/8"	Wire rope lubricator for 5/8" cable diameter
VGKP	LCC-1-11/16	11/16"	Wire rope lubricator for 11/16" cable diameter
VGKP	LCC-1-3/4	3/4"	Wire rope lubricator for 3/4" cable diameter
VGKP	LCC-1-13/16	13/16"	Wire rope lubricator for 13/16" cable diameter
VGKP	LCC-1-7/8	7/8"	Wire rope lubricator for 7/8" cable diameter
VGKP	LCC-1-1	1"	Wire rope lubricator for 1" cable diameter
VGKP	LCC-2-1-1/4	1 1/4"	Wire rope lubricator for 1 1/4" cable diameter
VGKP	LCC-2-1-7/8	1 7/8"	Wire rope lubricator for 1 7/8" cable diameter

## Seals and Rolls Kit

Prefix	Code	Wire Rope Ø	Description
VGKP	KIT LCC-1-7/16	7/16"	LCC-1 wire rope lubricator's Seals and rolls kit for 7/16" cable diameter
VGKP	KIT LCC-1-1/2	1/2"	LCC-1 wire rope lubricator's Seals and rolls kit for 1/2" cable diameter
VGKP	KIT LCC-1-9/16	9/16"	LCC-1 wire rope lubricator's Seals and rolls kit for 9/16" cable diameter
VGKP	KIT LCC-1-5/8	5/8"	LCC-1 wire rope lubricator's Seals and rolls kit for 5/8" cable diameter
VGKP	KIT LCC-1-11/16	11/16"	LCC-1 wire rope lubricator's Seals and rolls kit for 11/16" cable diameter
VGKP	KIT LCC-1-3/4	3/4"	LCC-1 wire rope lubricator's Seals and rolls kit for 3/4" cable diameter
VGKP	KIT LCC-1-13/16	13/16"	LCC-1 wire rope lubricator's Seals and rolls kit for 13/16" cable diameter
VGKP	KIT LCC-1-7/8	7/8"	LCC-1 wire rope lubricator's Seals and rolls kit for 7/8" cable diameter
VGKP	KIT LCC-1-1	1"	LCC-1 wire rope lubricator's Seals and rolls kit for 1" cable diameter
VGKP	KIT LCC-2-1-1/4	1 1/4"	LCC-2 wire rope lubricator's Seals and rolls kit for 1 1/4" cable diameter
VGKP	KIT LCC-2-1-7/8	1 7/8"	LCC-2 wire rope lubricator's Seals and rolls kit for 1 7/8" cable diameter



### The Power of Knowledge Engineering

Combining products, people, and application-specific knowledge, SKF delivers innovative solutions to equipment manufacturers and production facilities in every major industry worldwide. Having expertise in multiple competence areas supports SKF Life Cycle Management, a proven approach to improving equipment reliability, optimizing operational and energy efficiency and reducing total cost of ownership.

These competence areas include bearings and units, seals, lubrication systems, mechatronics, and a wide range of services, from 3-D computer modelling to cloud-based condition monitoring and asset management services.

SKF's global footprint provides SKF customers with uniform quality standards and worldwide product availability. Our local presence provides direct access to the experience, knowledge and ingenuity of SKF people.

© SKF is a registered trademark of the SKF Group.

© SKF Group 2014

The contents of this publication are the copyright of the publisher and may not be reproduced (even extracts) unless prior written permission is granted. Every care has been taken to ensure the accuracy of the information contained in this publication but no liability can be accepted for any loss or damage whether direct, indirect or consequential arising out of the use of the information contained herein.

PUB LS/P2 14981 EN · September 2014

Certain image(s) used under license from Shutterstock.com

